

- Stainless steel housing 1.4404, IP 68
- Plastic housing PP or PVDF
- Ranges from 40 mbar to 60 bar
- Accuracy $\leq 0,2\%$
- Ex II 1G EEx ia IIC T4
- Cable according Bg VV-1.12.96-Specifications
- Optional integrated Pt 100 / Pt 1000 Sensor for temperature measurement



Level Transmitter P 133

Technical data:

Ranges:	0...40 mbar to 0...60 bar
Output signal:	4...20 mA, 2-wire
Accuracy:	$\leq \pm 0,2\%$ FS @ 25°C
Response time:	200 ms (other available on request)
Supply voltage:	9...30V DC: 4...20 mA output (12...30V Ex-version) 15...30V DC: 0...10 V output
Ambient temperature:	-25...80 °C (-20...70 °C at EEx ia IIC T4)
Temperature coeff.:	$\leq \pm 0,02\%$ FS/K
Long term stability:	$\leq \pm 0,2\%$ FS p. a.
Housing:	stainless steel, 1.4404, IP 68
Weight of sensor:	approx. 0,5 kg
Weight of cable:	0,5 kg / 10m
Electrical connection:	PE cable with pressure compensation capillary and filter

Nöding

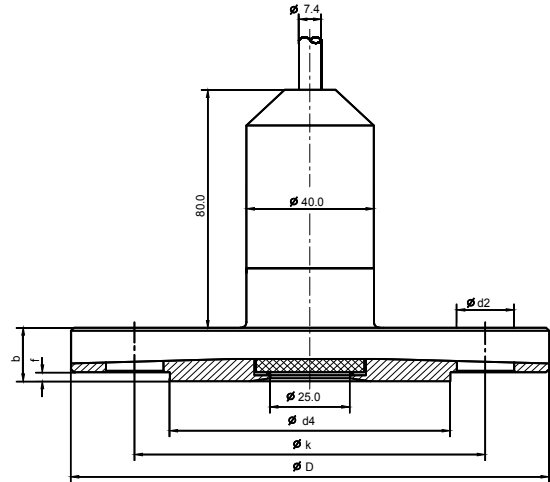
Meßtechnik

Ranges

Dimensions (mm)

range in bar		range in mH ₂ O		overload (bar)
0...40 mbar*	A8	0...400 mmH ₂ O*	W8	-0,3/4
0...50 mbar*	B0	0...500 mmH ₂ O*	W0	-0,3/4
0...60 mbar*	A9	0...600 mmH ₂ O*	W9	-0,3/4
0...100 mbar	00	0...1 mH ₂ O	50	-0,3/4
0...160 mbar	01	0...1,6 mH ₂ O	51	-0,5/6
0...200 mbar	B1	0...2 mH ₂ O	W1	-0,5/6
0...250 mbar	02	0...2,5 mH ₂ O	52	-0,5/6
0...300 mbar	X5	0...3 mH ₂ O	66	-1/6
0...400 mbar	03	0...4 mH ₂ O	53	-1/6
0...500 mbar	B7	0...5 mH ₂ O	W2	-1/6
0...600 mbar	04	0...6 mH ₂ O	54	-1/10
0...1,0 bar	05	0...10 mH ₂ O	55	-1/10
0...1,6 bar	06	0...16 mH ₂ O	56	-1/18
0...2,0 bar	B3	0...20 mH ₂ O	W3	-1/18
0...2,5 bar	07	0...25 mH ₂ O	57	-1/18
0...4,0 bar	08	0...40 mH ₂ O	58	-1/25
0...6,0 bar	09	0...60 mH ₂ O	59	-1/40
0...10 bar	10	0...100 mH ₂ O	60	-1/40
0...16 bar	11	0...160 mH ₂ O	61	-1/40
0...20 bar	B5	0...200 mH ₂ O	W5	-1/40
0...25 bar	12	0...250 mH ₂ O	62	-1/40
0...40 bar	13	0...400 mH ₂ O	63	-1/60
0...60 bar	14	0...600 mH ₂ O	64	-1/100

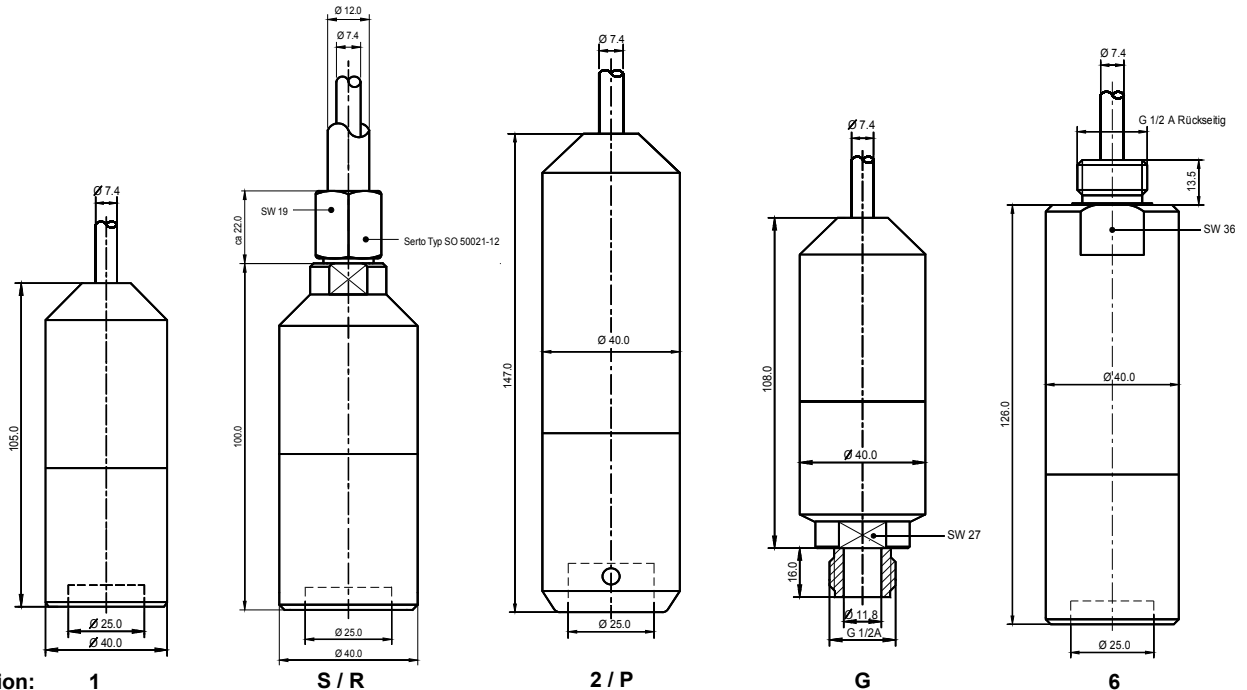
* accuracy 0,5%



DN	PN	D	b	d2	k	f	d4	Bohrungen/Hole
25	10 - 40	115	18	14	85	2	68	4
40	10 - 40	150	18	18	110	3	88	4
50	10 - 40	165	20	18	125	3	102	4
80	10 - 40	200	24	18	160	3	138	8

Anschluß / Connection DIN 2527 (mm)

Dimensions (mm)



Version: 1

S / R

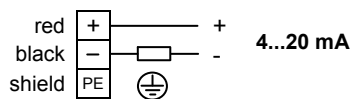
2 / P

G

6

Electrical connections

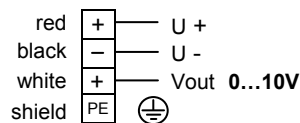
4...20 mA, 2-wire



U = 9...30V DC

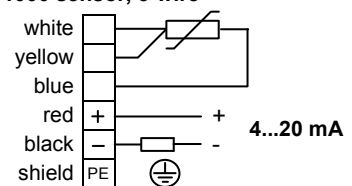
Ex-Version: 12...30V DC

0...10V, 3-wire



U = 15...30V DC


4...20 mA, 2-wire and Pt 100 - Pt 1000 sensor, 3-wire



U = 9...30V DC

Modifications reserved without notice, 12.14

Output signal

- 1 0...10 V 3-wire, (HDPE cable only)
- 4 4...20 mA 2-Leiter
- E 4...20 mA 2-wire,  II 1G EEx ia IIC T4
- T 4...20 mA 2-wire and Pt 100 3-wire
- F 4...20 mA 2-wire and Pt 1000 3-wire

Range

See table at page 2
99 Special range

Version / material sensor housing

- 1 1.4404 40 mm Ø
- 2 Synthetics polypropylene
- 4 1.4404 G ½ A u. G ¼ female
- 6 1.4404 G ½ A at the cable lead in
- G 1.4404 G ½ A and 11,8mm pressure port
- P Synthetics PVDF
- 7 1.4404 G ½ A, housing welded, Ermeto-fitting at the top
- 8 1.4404 G ½ A u. G ¼ female, housing welded, Ermeto-fitting at the top
- S 1.4404 40 mm Ø, housing welded, 12 mm Serto-fitting at the top
- R 1.4404 40 mm Ø 12 mm Serto-fitting at the top
- U Flange DN25 / PN40 DIN 2501 1.4404
- A Flange DN40 / PN40 DIN 2501 1.4404
- B Flange DN50 / PN40 DIN 2501 1.4404
- C Flange DN80 / PN40 DIN 2501 1.4404
- 1L 40 mm Ø 1.4539 (904L)
- GL G ½ A and 11,8 mm pressure port 1.4539 (904L)
- 1B 40 mm Ø GC-CuSn12 (Bronze)
- GB G ½ A and 11,8 mm pressure port GC-CuSn12 (Bronze)
- UB Flange DN25 / PN 40 DIN 2501 GC-CuSn12 (Bronze)
- AB Flange DN40 / PN 40 DIN 2501 GC-CuSn12 (Bronze)
- 9 Special accomplishment

Std. cable length

- 002 2m cable
 - 005 5m cable Length from 5m to 50m only in 5m intervals
 - 010 10m cable
 - 050 50m cable Length from 50m only in 10m intervals
- Special lengths quote in meters

Material cable

- 0 PE cable
- 1 FDR 25 cable (Diesel oil resistant)
- 2 PUR cable
- 3 PTFE (on request)
- 4 HDPE

Sensor seal

- 1 FPM (Viton) Standard
- 2 NBR (Nitril)
- 3 EPDM-Kautschuk
- 5 Chemraz 505

Options

- R Ceramic sensor 99,9% Al₂O₃

