

- Dry ceramic sensor
- Ranges from 250 mbar up to 250 bar
- Accuracy:  $\leq 0.5\%$
- compact and rugged design
- For large variety of applications
- Multiple process connections
- Different electrical connections
- Analog output: 4...20 mA, 2-wire  
0.5...4.5 V, 0...5 V, 0...10 V, 3-wire



## Pressure Transmitter P 10

### Technical data:

Pressure range:	0...250 mbar up to 0...250 bar -1...0 bar up to -1...25 bar
Output signal:	4...20 mA, 2-wire, 0.5...4.5 V, 0...5 V, 0...10 V, 3-wire
Accuracy:	$\leq \pm 0,5\%$ FS @ 25°C
Response time:	200 ms (other on request)
Power supply:	9...30V DC, 20 mA/5 V output 5V DC, 0.5...4.5 V output 15...30V DC, 10V output
Ambient temperature:	-25...80 °C
Process temperature:	-25...100 °C
Temperature coef.:	$\leq \pm 0.03\%$ FS/K (zero) $\leq \pm 0.02\%$ FS/K (span)
Long term stability:	$\leq \pm 0.5\%$ FS p. a.
Process connection:	stainless steel 1.4404 (316L)
Sensor:	ceramic AL <sub>2</sub> O <sub>3</sub>
Electrical connection:	connector EN 175301-803A, IP67 Quickon-Connector, IP 67 connector M12x1, IP 67 cable connection, IP67

**Nöding**

Meßtechnik

## Ranges

Range	Gauge	Overload (bar)
-1...0 bar (**)	D4	4
-1...0.6 bar (*)	D5	4
-1...1 bar	D6	4
-1...1.5 bar	D7	4
-1...3 bar	D8	10
-1...5 bar	D9	10
-1...9 bar	E1	40
-1...15 bar	E2	40
-1...19 bar	E3	40
0...250 mbar (*)	O2	1
0...400 mbar	O3	1
0...500 mbar	B7	2
0...600 mbar	O4	2
0...1 bar	O5	4
0...1.6 bar	O6	4
0...2 bar	B3	4
0...2.5 bar	O7	10
0...4 bar	O8	10
0...5 bar	F1	10
0...6 bar	O9	20
0...10 bar	10	40
0...16 bar	11	40
0...20 bar	B5	40
0...25 bar	12	100
0...40 bar	13	100
0...50 bar	F3	100
0...60 bar	14	200
0...100 bar	15	200
0...160 bar	16	400
0...200 bar	F5	400
0...250 bar	17	600

(\*) accuracy 1%      (\*\*) accuracy 1,5%  
Absolute pressure on request

## Ordering code

### Output signal

- 1 0...10 V 3-wire
- 4 4...20 mA 2-wire
- 8 0...5 V 3-wire
- A 0.5...4.5 V 3-wire, ratio-metric

### Ranges

Measurement range see table  
99 non-standard range (on request)

### Process connection and material

- D G 1/4 A DIN 3852 1.4404
- DN 1/4-18 NPT 1.4404
- 2 1/2-14 NPT 1.4404
- 3 G 1/2 B EN837-1 1.4404
- G G 1/2 A u. 11.6 mm bore hohle 1.4404
- 9 others (on request)

### Sensor seal

- 1 FPM (Viton) Standard
- 2 NBR (Nitril)
- 3 EPDM-Kautschuk
- 5 Chemraz 505
- 9 others (on request)

### Electrical connection

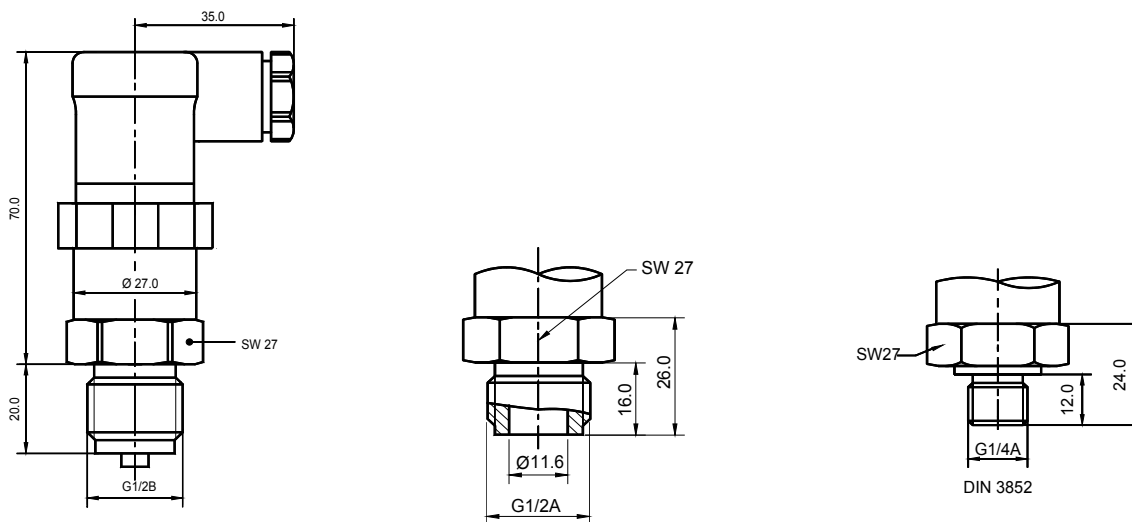
- 0 5m cable connection, IP 67
- 1 Connector EN 175301-803A IP 67
- 6 2m cable connection, IP 67
- A Connector M12x1, IP 67
- F Quickon-Connector, IP 67
- H 10m cable connection, IP 67
- 9 others (on request)

### Options

- 0 without pottet electronic
- 1 pottet electronic

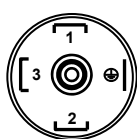
P10 - 

## Dimensions (mm)



## Electrical connections

### Connector EN 175301-803A



4...20 mA 2-wires  
PIN1 Signal +  
PIN2 Signal -  
  
0...10V 3-wires  
PIN1 in +  
PIN2 in -  
PIN3 out +

### Quickon-Connector



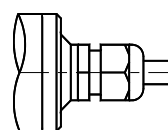
4...20 mA 2-wires  
PIN1 Signal +  
PIN2 Signal -  
  
0...10V 3-wires  
PIN1 in +  
PIN2 in -  
PIN3 out +

### M12x1, 4-pin Connector



4...20 mA 2-wires  
PIN1 Signal +  
PIN3 Signal -  
  
0...10V 3-wires  
PIN1 in +  
PIN3 in -  
PIN4 out +

### Cable connection



4...20 mA 2-wires  
red Signal +  
black Signal -  
  
0...10V 3-wires  
red in +  
black in -  
white out +

Modifications reserved without notice 03-17